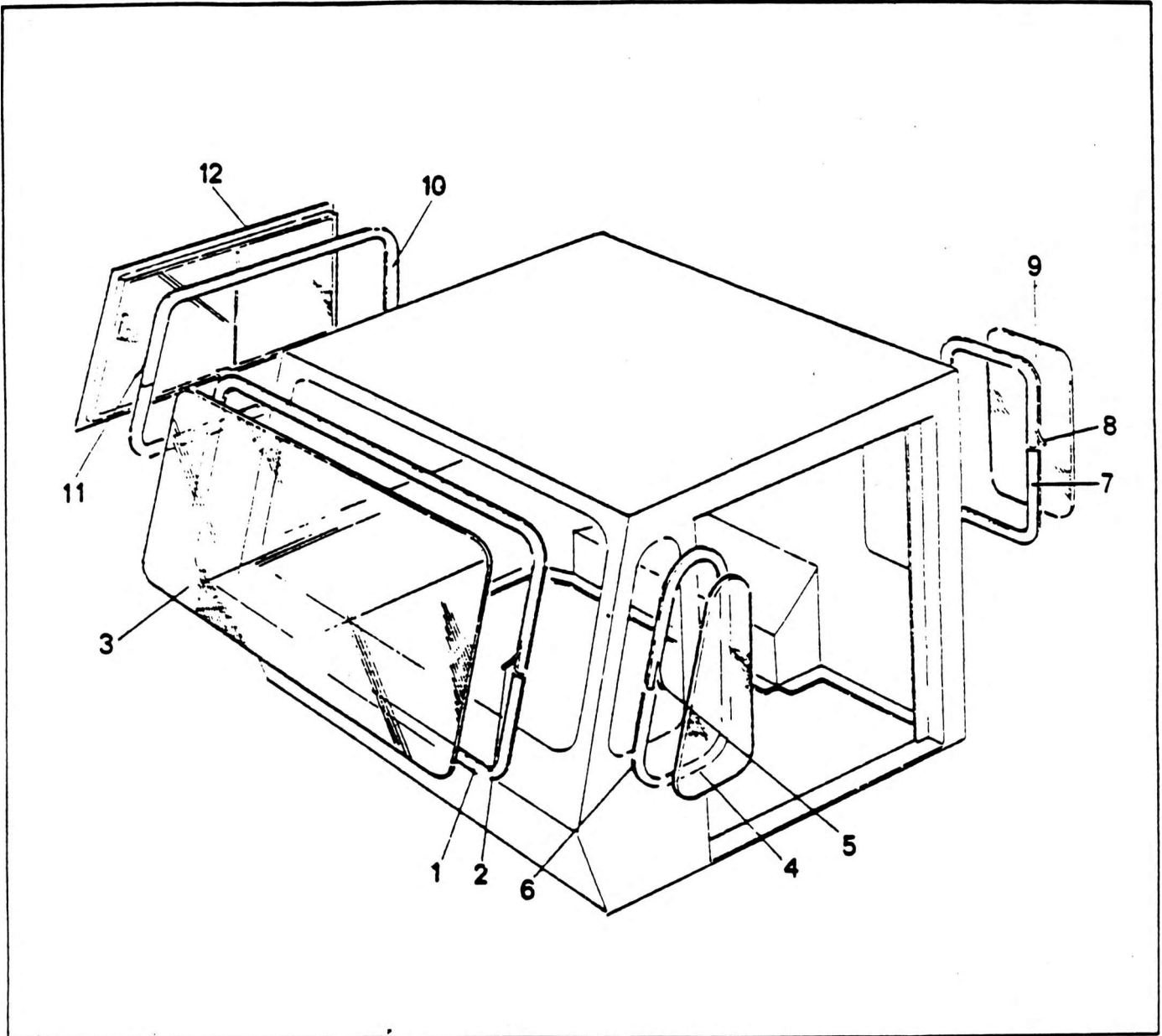


GLASS ASSEMBLY



NO.	PART NO.	QTY.	DESCRIPTION	NO.	PART NO.	QTY.	DESCRIPTION
1	172321	AR	Self Sealing Section				
2	712322	AR	Filler Strip				
3	6-498-990014	1	Front Windscreen - Chassis Cab				
4	172321	AR	Self Sealing				
5	172322	AR	Filler Strip				
6	7-498-990038	1	Window Side LH Front				
7	172321	AR	Self Sealing Section				
8	172322	AR	Filler Strip				
9	8789798	1	Rear/Side Window Chassis Cab				
10	172321	AR	Self Sealing Section				
11	172322	AR	Filler Strip				
12	7-498-990047	1	Window Framed Slider RH Chassis				

A/R - As Required

6-498-990015
Issue No. 00